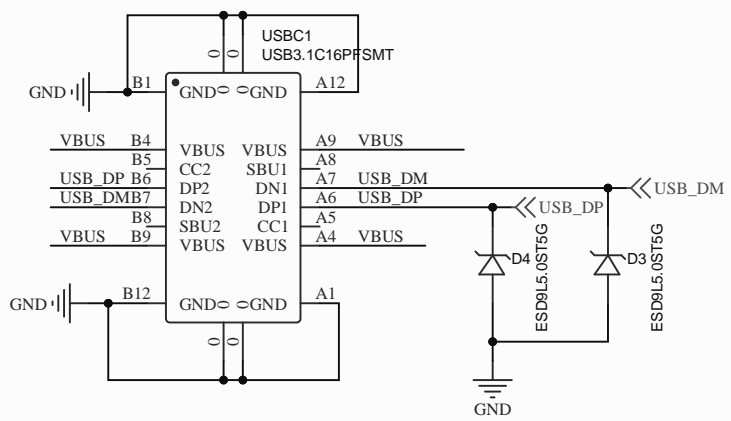
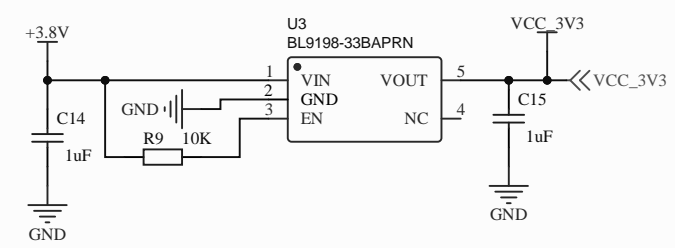


DCDC 3A

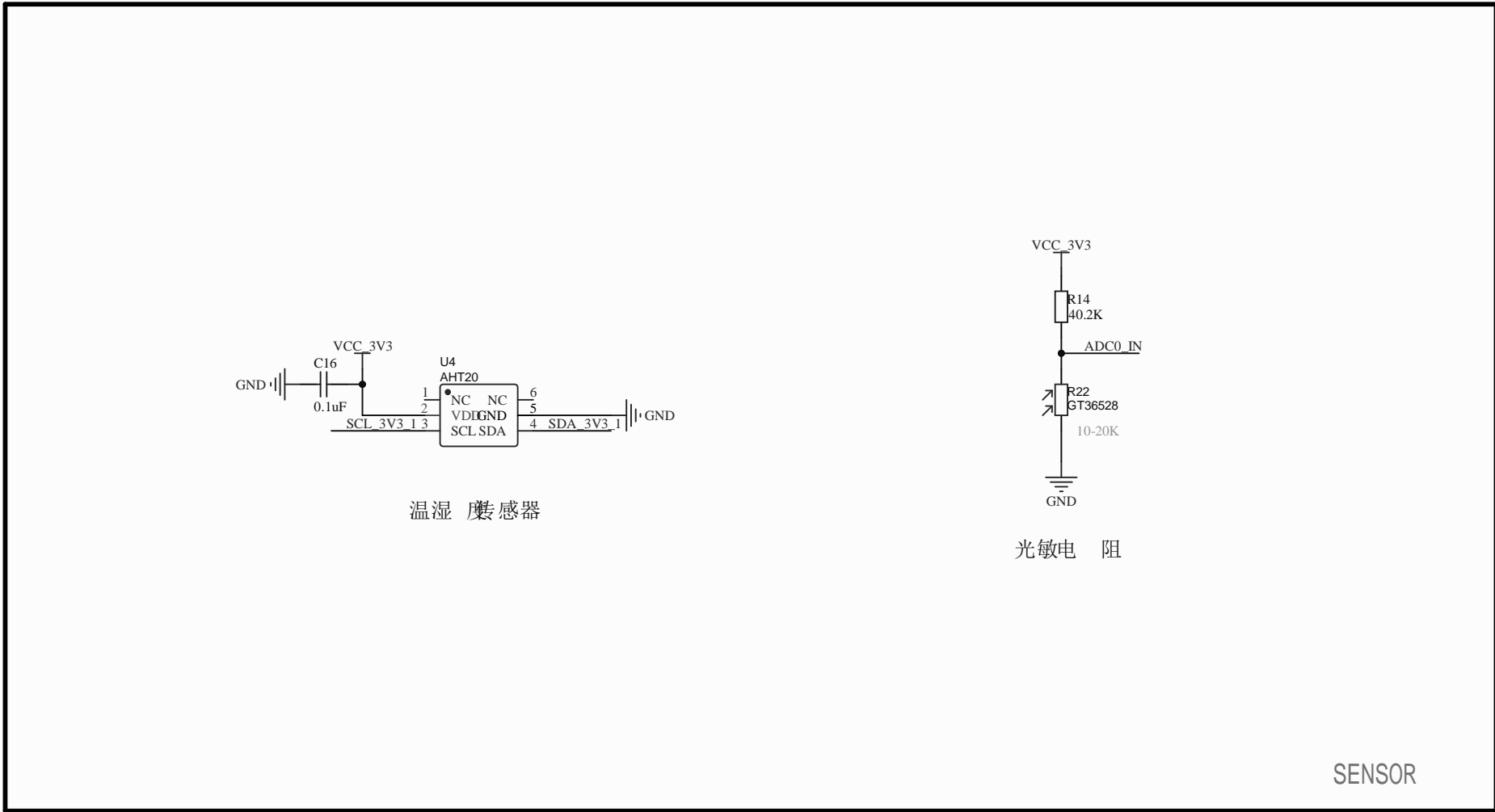


type-C



LDO 300mA

Title		
Size A4	Number	Revision
Date: 3-31-2023	Sheet of	
File: G:\项目\...\2.POWER.SchDoc	Drawn By:	

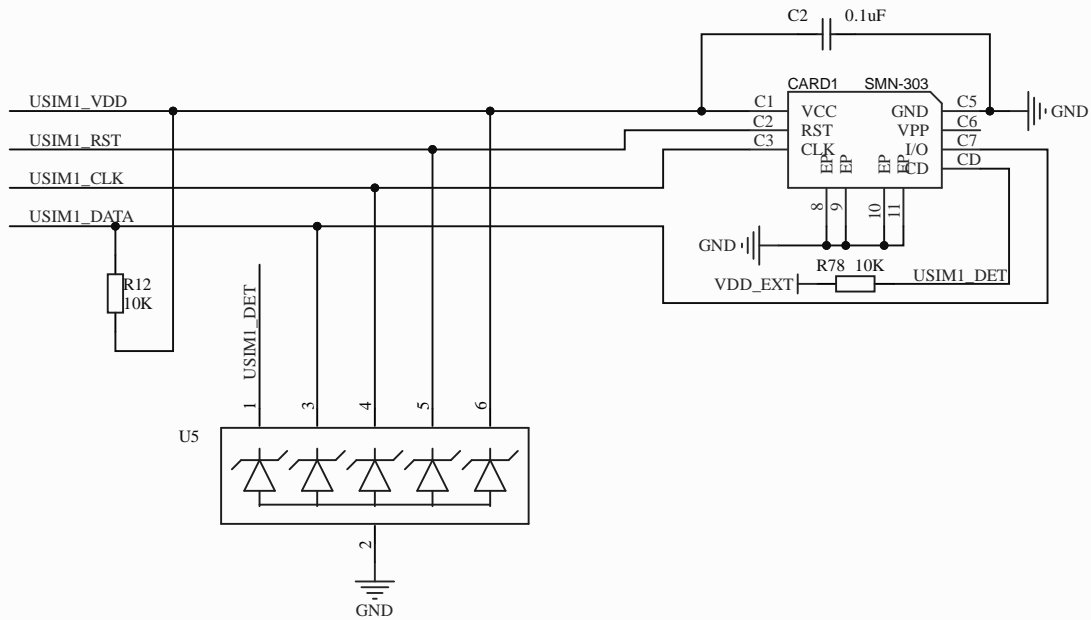


温湿 度传感器

光敏电 阻

SENSOR

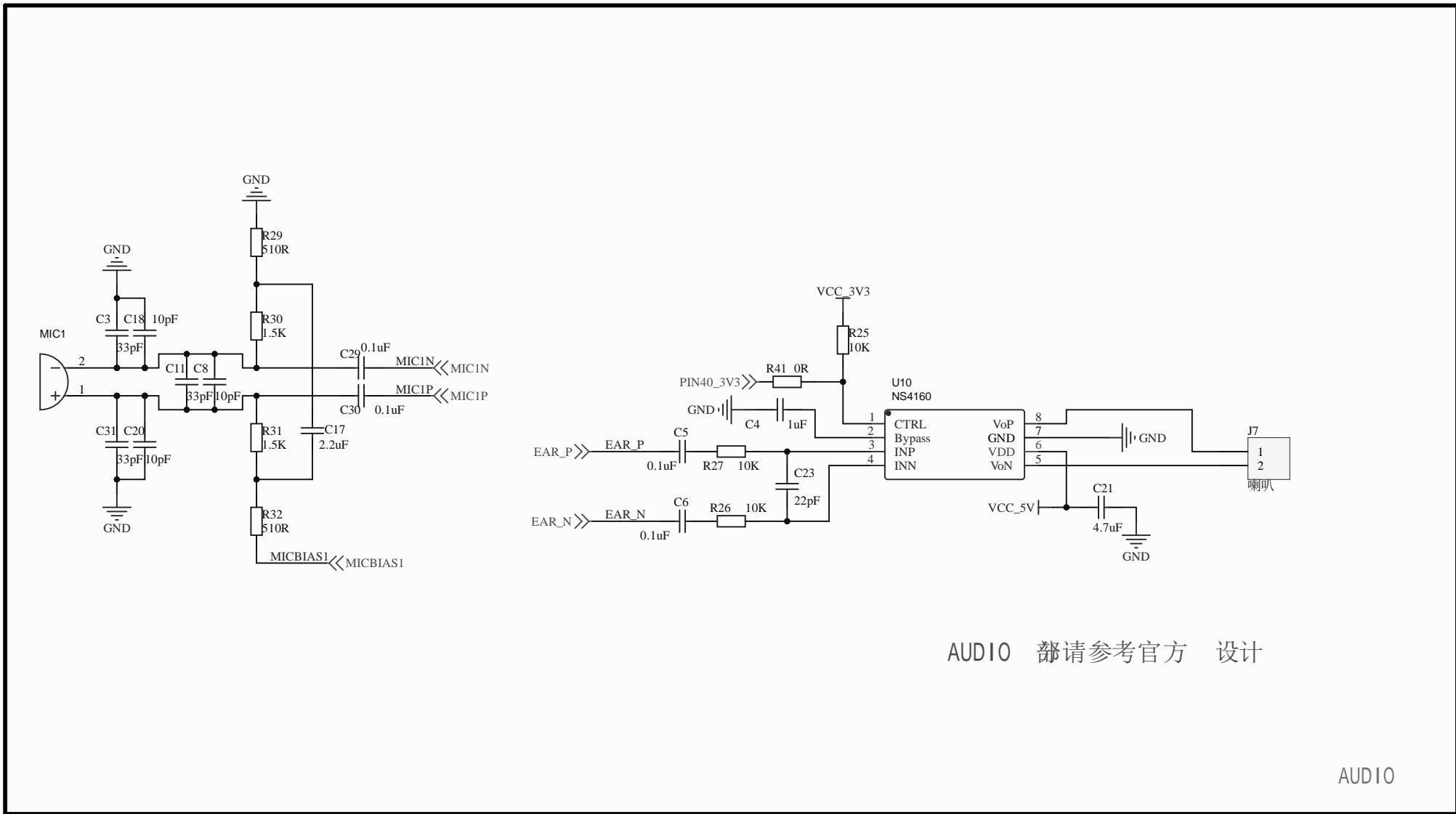
Title		
Size A4	Number	Revision
Date: 3-31-2023	Sheet of	
File: G:\项目 \..\3.SENSOR+EEPROM.SchDoc	Drawn By:	



SIM卡 请参考官方 设计

USIM

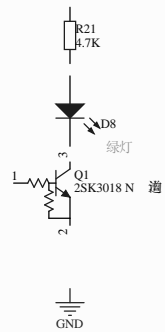
Title		
Size	Number	Revision
A4		
Date:	3-31-2023	Sheet of
File:	G:\项目\...\4.SIM-CARD.SchDoc	Drawn By:



AUDIO 请参考官方 设计

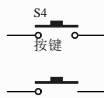
AUDIO

Title		
Size	Number	Revision
A4		
Date:	3-31-2023	Sheet of
File:	G:\项目\...\5.AUDIO.SchDoc	Drawn By:



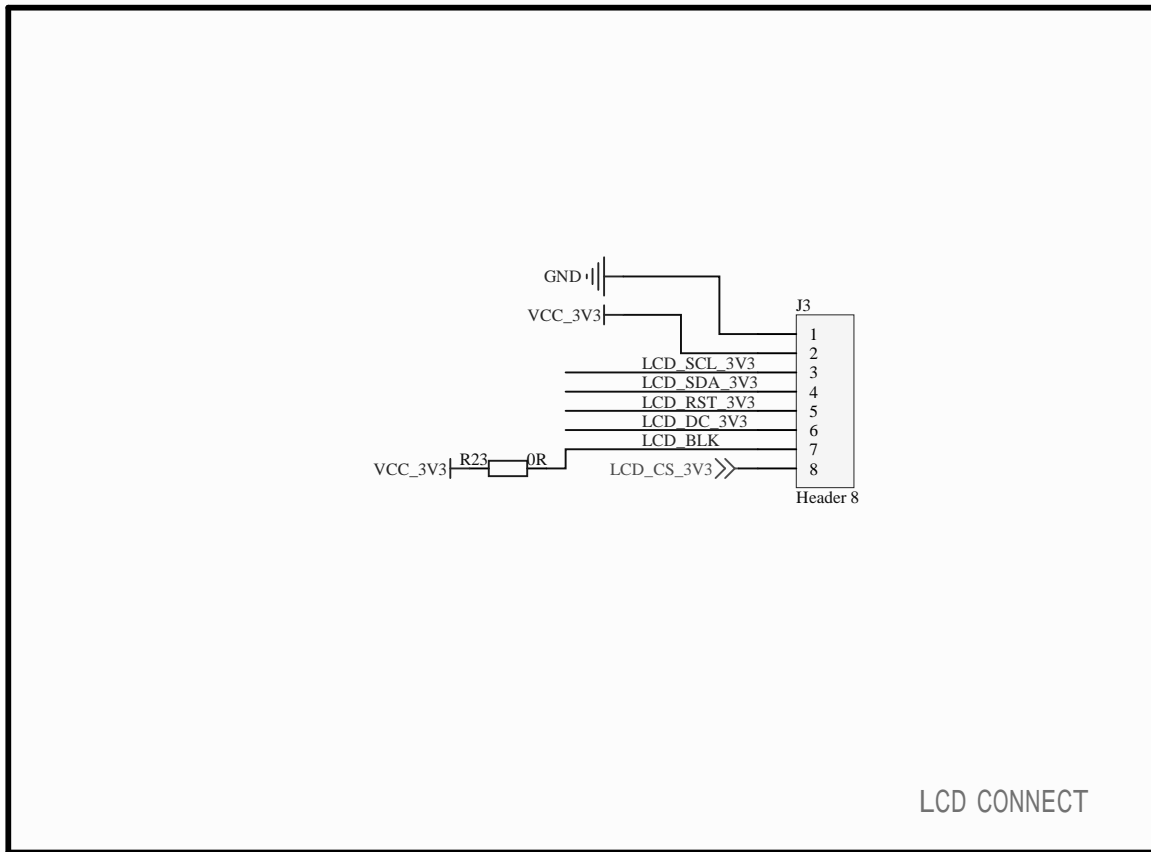
TXD2_3V3
RXD2_3V3

SPI_CLK_3V3
SPI_MISO_3V3
SPI_MOSI_3V3
SPI_CS_3V3



GPIO

Title		
Size A3	Number	Revision
Date: 3-31-2023	Sheet of	Drawn By:
File: G:\项目\...\6.GPIO+UART.SchDoc		



LCD CONNECT

Title		
Size	Number	Revision
A4		
Date:	3-31-2023	Sheet of
File:	G:\项目\...\7.LCM.SchDoc	Drawn By: